

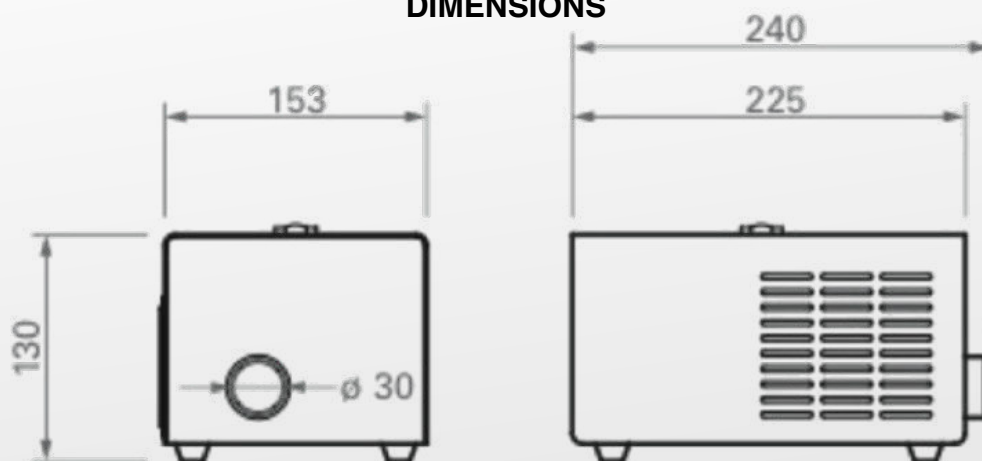


**"LA-VR/SN" HALOGEN LIGHT SOURCE**

The LA series sources are produced specifically for use with glass optical fibers (VR version) and synthetic fibers (SN version). The halogen light sources are supplied complete with the relative lamp halogen bulb, whose focusing is performed at the factory by Cobb Fiber Optics in order to obtain the maximum concentration of the luminous flux at the joint connector point. The LA sources can be equipped with a gear-motor with wheel composed of colored dichroic filters to make the light change color.

On request, a special switch allows you to lock the rotation of the wheel and choose to keep a fixed color (white, red, green, blue, yellow, magenta).

Technical Features	Description
<b>Power</b>	50W - 100W - 150W
<b>Color Temperature</b>	3000°K
<b>Cooling</b>	Silenced fan
<b>IP Protection</b>	IP20
<b>Lamp Lifespan (hours)</b>	50W: 4000 h - 100W: 1500 h - 150W: 150 h
<b>Change color</b>	Wheel with 6 colors (white, red, green, blue, yellow, magenta)
<b>Power supply</b>	220-240 VAC 50/60Hz

**DIMENSIONS**


Code	Description	Optional Accessories
<b>LA-50VR</b>	50W-12V halogen bulb for glass fiber optics	A B C D
<b>LA-50SN</b>	50W-12V halogen bulb for synthetic optical fibers	A B C D
<b>LA-100VR</b>	100W-12V halogen bulb for glass fiber optics	A B C D
<b>LA-100SN</b>	100W-12V halogen bulb for synthetic optical fibers	A B C D
<b>LA-150VR</b>	150W-21V halogen bulb for glass fiber optics	A B C D
<b>LA-150SN</b>	150W-21V halogen bulb for synthetic optical fibers	A B C D

**OPTIONS**

A) Predisposition for connection to dimmer.  
Cod. SN-A

B) Gear motor with color-changing rotating wheel (No. 6 colors: red, green, yellow, blue, magenta, white).  
Code SN-B

C) Gear motor with rotating star effect wheel (pulsating, sparkling effect).  
Code SN-C

D) Predisposition for color change wheel rotation lock: It allows the rotation of the wheel to block the rotation through an ON / OFF switch  
Code SN-D