

Halogen light source

“LA-VR/SN”

CE

COBB
FIBRE OTTICHE



The LA series sources are produced specifically for use with glass optical fibers (VR version) and synthetic fibers (SN version). The halogen light sources are supplied complete with the relative halogen lamp, whose focusing is performed at the factory by Cobb Fiber Optics in order to obtain the maximum concentration of the luminous flux at the joint connector point. The LA sources can be equipped with a gear motor with a wheel composed of colored dichroic filters to make the light change color. On request, a special switch allows you to lock the rotation of the wheel and choose to keep a fixed color (white, red, green, blue, yellow, magenta).

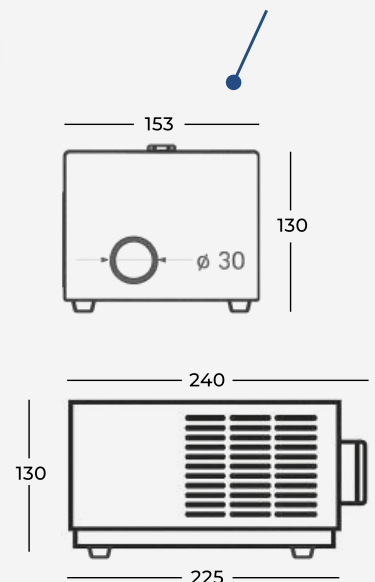
COBB FIBRE OTTICHE SRL

Via Nelson Mandela, 20 | 24048 Treviolo (BG) | Italy Tel. +39 035 0448601 - Fax +39 035 0448585
info@fibre-ottiche.com - www.fibre-ottiche.it

Technical Features	Description
Power	50W - 100W - 150W
Color Temperature	3000°K
Cooling	silenced fan
Common connector inlet	30 mm
IP Protection	IP20
Lamp Lifespan (hours)	50W: 4000 h - 100W: 1500 h - 150W: 150 h
Change color	wheel with 6 colors (white, red, green, blue, yellow, magenta)
Power supply	220-240 VAC 50/60Hz

Code	Description	Optional Accessories
LA-50VR	50W-12V halogen bulb for glass fiber optics	A B C D
LA-50SN	50W-12V halogen bulb for synthetic optical fibers	A B C D
LA-100VR	100W-12V halogen bulb for glass fiber optics	A B C D
LA-100SN	100W-12V halogen bulb for synthetic optical fibers	A B C D
LA-150VR	150W-21V halogen bulb for glass fiber optics	A B C D
LA-150SN	150W-21V halogen bulb for synthetic optical fibers	A B C D

Dimensions



Options

A) Predisposition for connection to dimmer.

Cod. SN-A

B) Gear motor with color-changing rotating wheel (No. 6 colors: red, green, yellow, blue, magenta, white).

Cod. SN-B

C) Gear motor with rotating star effect wheel (pulsating, sparkling effect).

Cod. SN-C

D) Predisposition for color change wheel rotation lock: It allows the rotation of the wheel to block the rotation through an ON / OFF switch

Cod. SN-D