



"LRGBW-LED13" 13W RGB + W LED LIGHT SOURCE

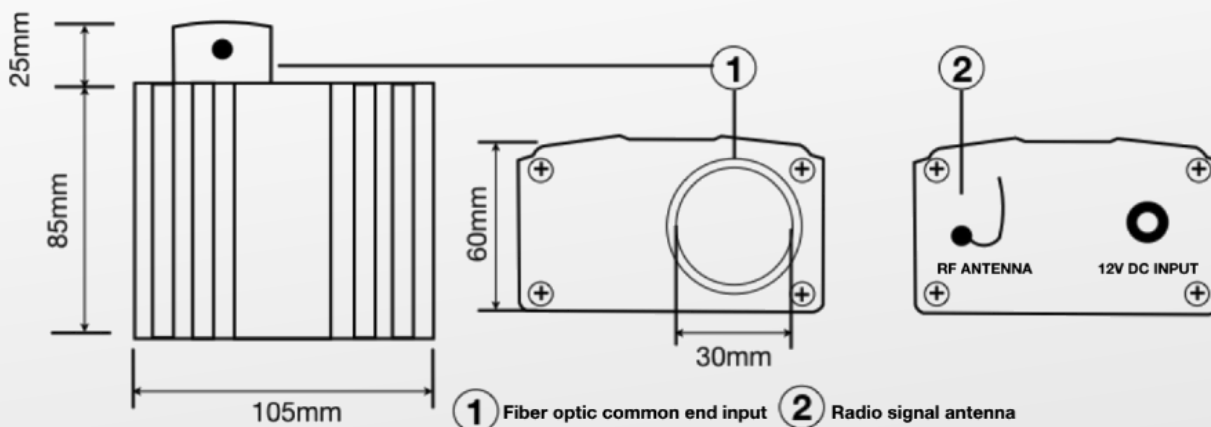
The led light sources of the LRGBW series are produced for use with both glass and synthetic optical fibers.

The LRGBW led light sources allow you to control the color of the light emitted and the speed of color rotation, creating scenographic effects via an app or / and radio frequency remote control.

The led light sources are already set up thanks to the integrated electronics for controlling the speed of the gear motor with a twinkle effect.

| Technical features | Description |
|--|---|
| Power Led | 13W |
| Led | RGB+W (Red, green, blue + white) |
| Power supply | Input 100-240 VAC 50/60Hz - Output 12V DC |
| Led life (hours) | 50.000 hours |
| Minimum working ambient temperature | -10°C |
| Maximum working ambient temperature | +45°C |
| Color control | Via App and / or Radio frequency remote control |
| Illuminator body | Gray anodized aluminum |
| Internal gearmotor | Twinkle effect (can be deactivated) |

DIMENSIONS



REMOTE CONTROL FUNCTIONS

| | | | |
|--------------------------|--|--------|------------------------|
| Speed or Brightness+ / - | | OFF ON | ON/OFF |
| | R G B W | | White light |
| Stactic colors | | JUMP3 | 3 colors jump |
| | | JUMP7 | 7 colors jump |
| | | FADE3 | 3 colors fade |
| ON/OFF Sparkle Effect | MOTOR ON/OFF MOTOR SPEED- MOTOR SPEED+ | FADE7 | 7 colors fade |
| ON/OFF Music Control | MUSIC ON MUSIC OFF BREATH | FLASH | Gradient or step flash |

CONTROL VIA APP



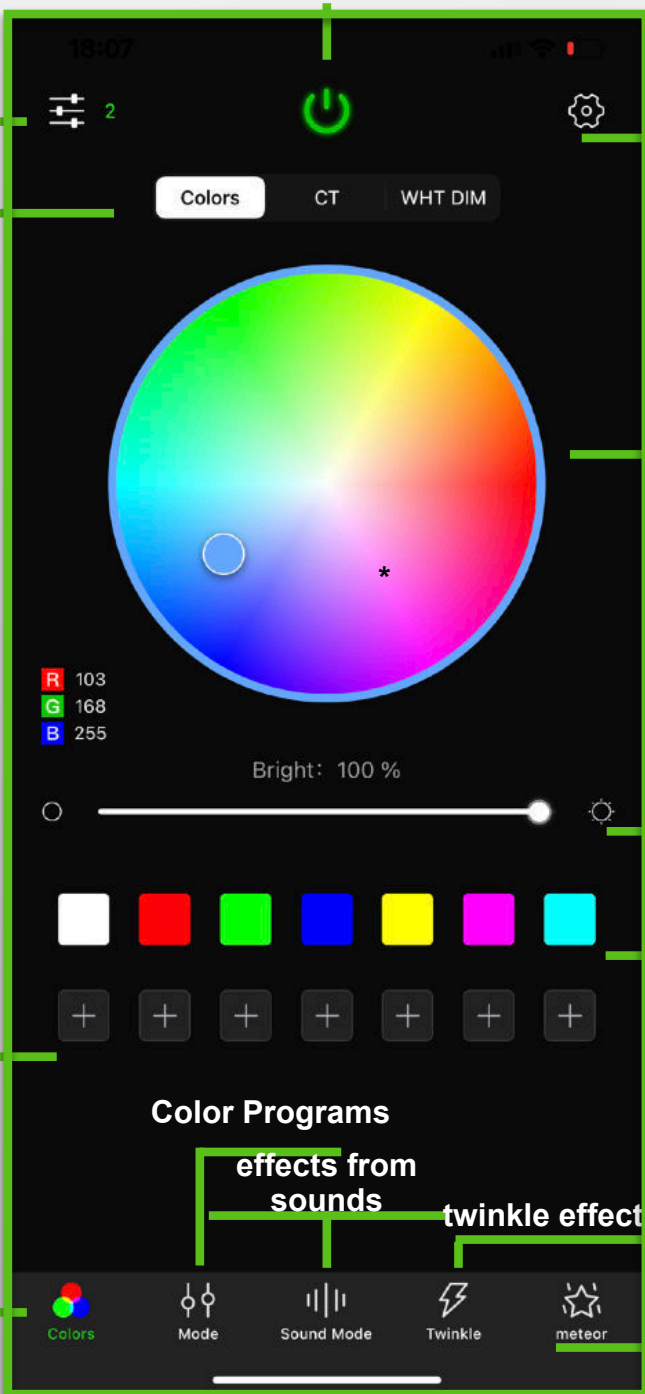
Home Page

On/Off

Control Illuminators

Setting Colors Control

General Informations



Colors Choise Disk

Control Brightness

Single Colors

Memorization Single Colors

Color Programs

effects from sounds

twinkle effect

Home Page

Meteor Effect *

*unavailable

CONTROL VIA APP



Scenographies page

The screenshot shows the app's main control screen. At the top, there is an 'On/Off' power button. Below it, a 'Control Illuminators' section shows a signal strength indicator and the number '2'. To the right, 'General Informations' is indicated. The central 'Scenographies' list includes: 'RGB breathe', 'red&green fade', 'red&blue fade', 'green&blue fade' (highlighted in green), 'seven color jump', 'RGB jump', and 'seven color flash'. Below this is a 'Scenographies Speed Control' slider set to 'meteor Speed: 10'. Underneath is a 'Control Brightness' slider set to 'Bright: 93%'. At the bottom, 'Color Programs' are listed: 'effects from sounds', 'twinkle effect', and 'meteor'. The bottom navigation bar contains icons for 'Colors', 'Mode', 'Sound Mode', 'Twinkle', and 'meteor'. A label 'Meteor Effect *' with '*unavailable' below it points to the 'meteor' icon.

CONTROL VIA APP



Effects Sounds page

On/Off

Control Illuminators

The screenshot shows the app interface with the following elements:

- On/Off:** A green power button at the top center.
- Sound Mode:** A row of buttons for 'Sound Mode', 'Music', and 'Microphone'.
- Effects List:** A list of effects including 'seven color jump', 'RGB jump', 'seven color flash', 'RGB flash' (highlighted in green), 'red flash', 'green flash', and 'twinkle effect'.
- Scenographies Speed Control:** A slider for 'meteor Speed: 10'.
- Sensitivity Sound:** A slider for 'Sound sensitivity: 8'.
- Color Programs:** A section at the bottom with icons for 'Colors', 'Mode', 'Sound Mode', 'Twinkle', and 'meteor'.

General Informations

Scenographies

Scenographies Speed Control

Sensitivity Sound

Meteor Effect *
*unavailable

Home Page

CONTROL VIA APP



Twinkle Effect Page

On/Off

Control Illuminators

General Informations

Control Speed Twinkle

Twinkle / Pause

Twinkle / On

Home Page

Meteor Effect *
*unavailable

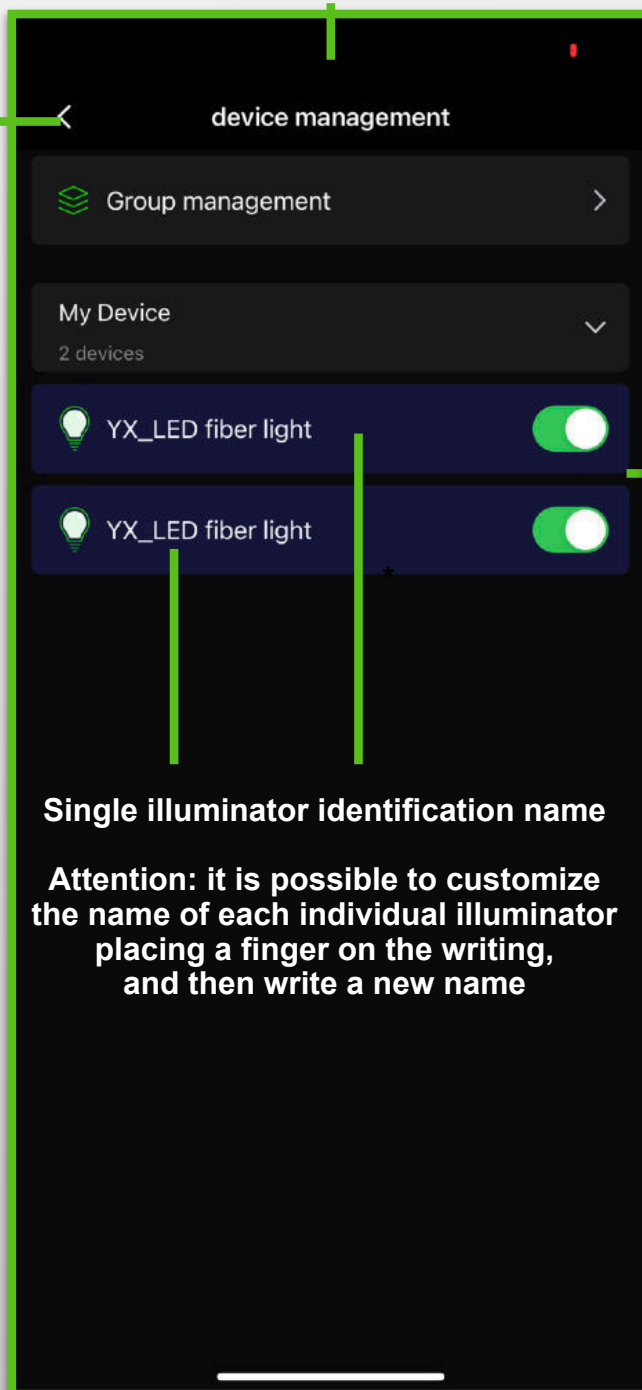
CONTROL VIA APP

Illuminator control page



On/Off

Control
Illuminators



Control
Illuminators
Setting

Single illuminator identification name

Attention: it is possible to customize the name of each individual illuminator placing a finger on the writing, and then write a new name