

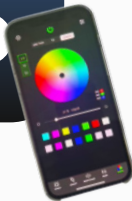
# Angular flat profile

PRE-A12/01



alexa tuya

Google Assistant



A A+ A++

CE III F   KG/M 0,5

Profile in silver-grey, black, gold and white painted anodized aluminum, cut to measure on your needs. Excellent profile for visible installations, or for room lighting with the housing in perimeter veils, to direct the light towards the upwards or towards the interior of the room obtaining an excellent light reflection without any loss, thanks to the 45° inclination of the light. Cover in opal polycarbonate. Supplied for installation complete with closing caps, opal cover and clip. With the profile we can also supply LED strips with white light or RGB+W, with the appropriate power supplies depending on the power and type of LEDs inserted.

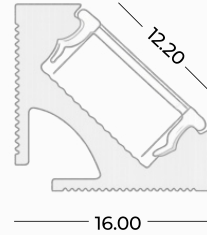
COBB FIBRE OTTICHE SRL

Via Nelson Mandela, 20 | 24048 Treviolo (BG) | Italy Tel. +39 035 0448601 - Fax +39 035 0448585  
info@fibre-ottiche.com - www.fibre-ottiche.it

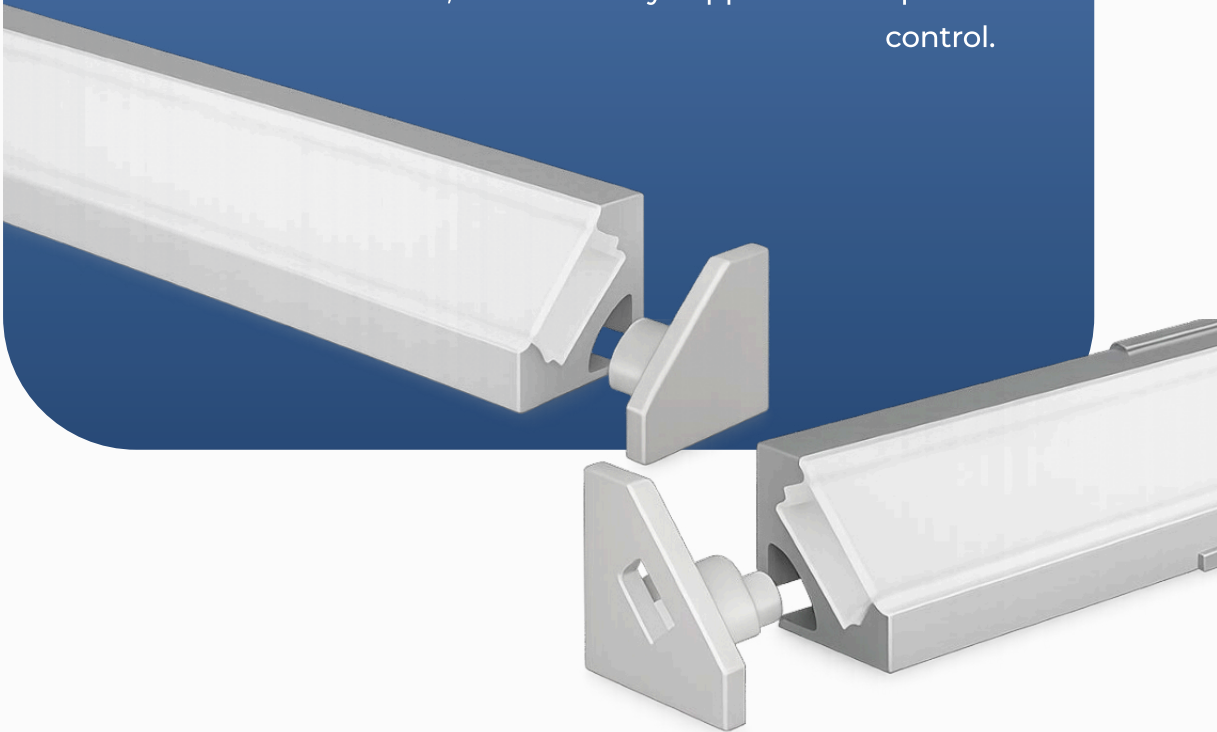
Dimensions



Finishes available



The profiles are supplied cut to size, maximum length 3m, ready for installation, with standard on-off or dimmable power supplies for white light. The RGB+W strips can be supplied with control via RF remote control, wall touch panel, dmx, dali, and with the Google Assistance, Alexa and Tuya apps for smartphone control.



accessories



opal cover  
CV-A12/01-OP



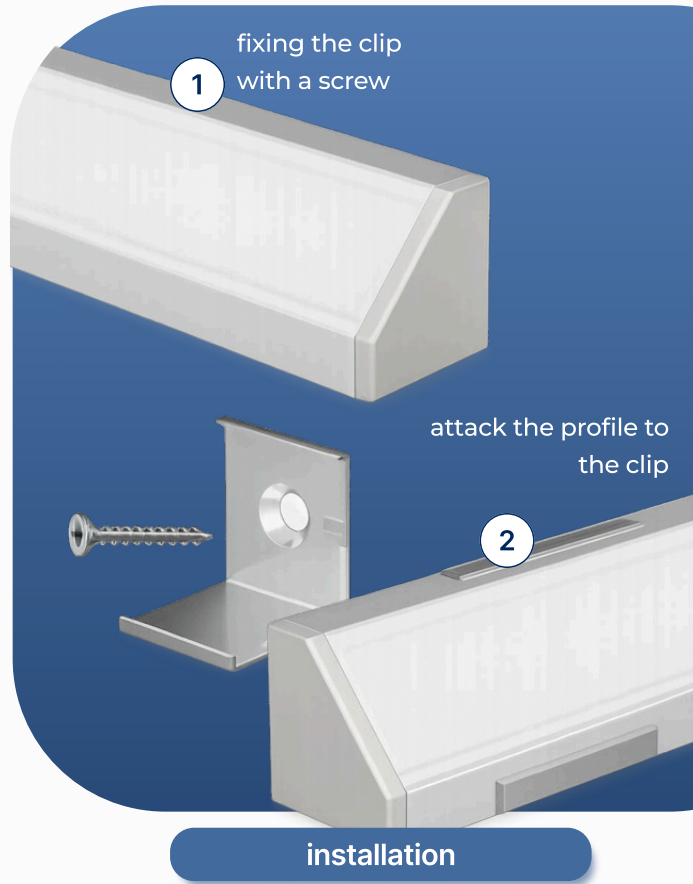
cap with hole  
TP-A12/01-T1



closed cap  
TP-A12/01-T2



clip  
CL-A12/01



The profiles are supplied cut to measure, maximum length 3m, complete with diffuser + caps and fixing clips. Upon request, the profiles are supplied with LED strips chosen from White / Dynamic White / RGB / RGB+W and light control modules managed by the following systems

TYPE LED	RF REMOTE CONTROL / PANEL	DMX	DALI	ALEXA/GOOGLE HOME/TUYA	PUSH	1-10V / 0-10V
WHITE LED	✓	✓	✓	✓	✓	✓
DYNAMIC WHITE LED						
RGB LED						
RGB+W LED						