

Rectangular flat profile model

PRE-R15/01



Profile in silver-grey, black, gold and white painted anodized aluminum, cut to measure on your needs. Excellent profile for visible installations, or for room lighting with housing in perimeter veils, it stands out for its height of only 6mm. Cover in opal polycarbonate. Supplied for installation complete with closing caps, opal cover and clip. With the profile we can also supply led strips with white light or RGB+W, with the appropriate power supplies depending on the power and type of led inserted.

Dimensions

silver

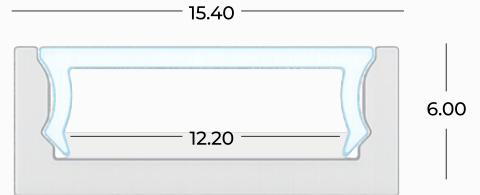
black

white

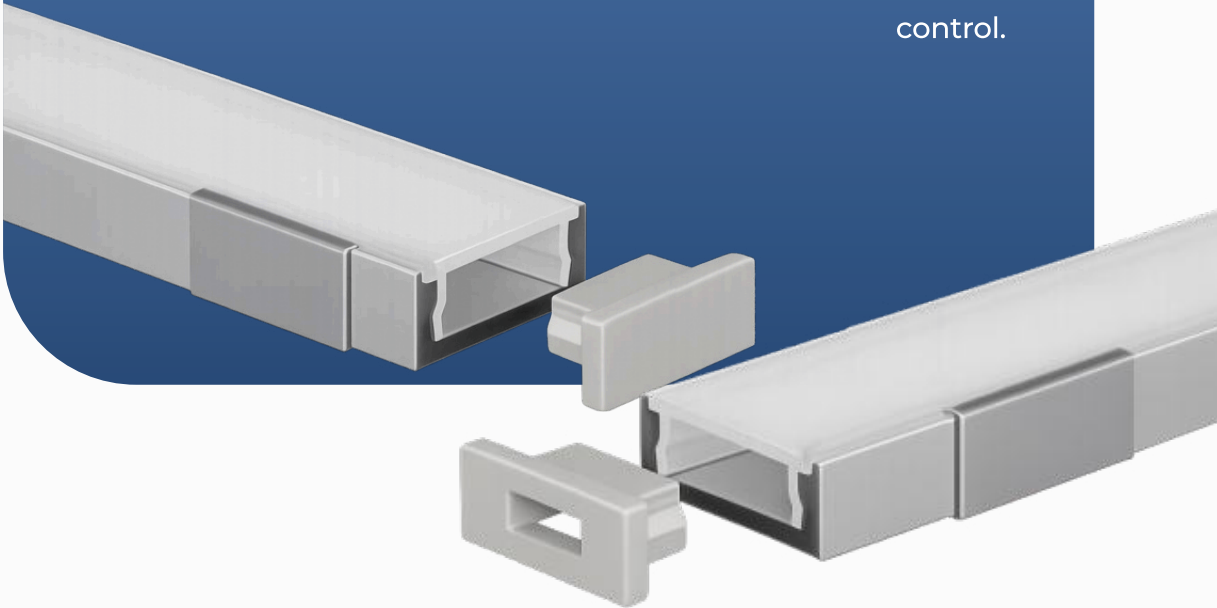
gold



Finishes available



The profiles are supplied cut to size, maximum length 3m, ready for installation, with standard on-off or dimmable power supplies for white light. The RGB+W strips can be supplied with control via RF remote control, wall touch panel, dmx, dali, and with the Google Assistance, Alexa and Tuya apps for smartphone control.



Accessories



opal cover
CV-R15/01-OP



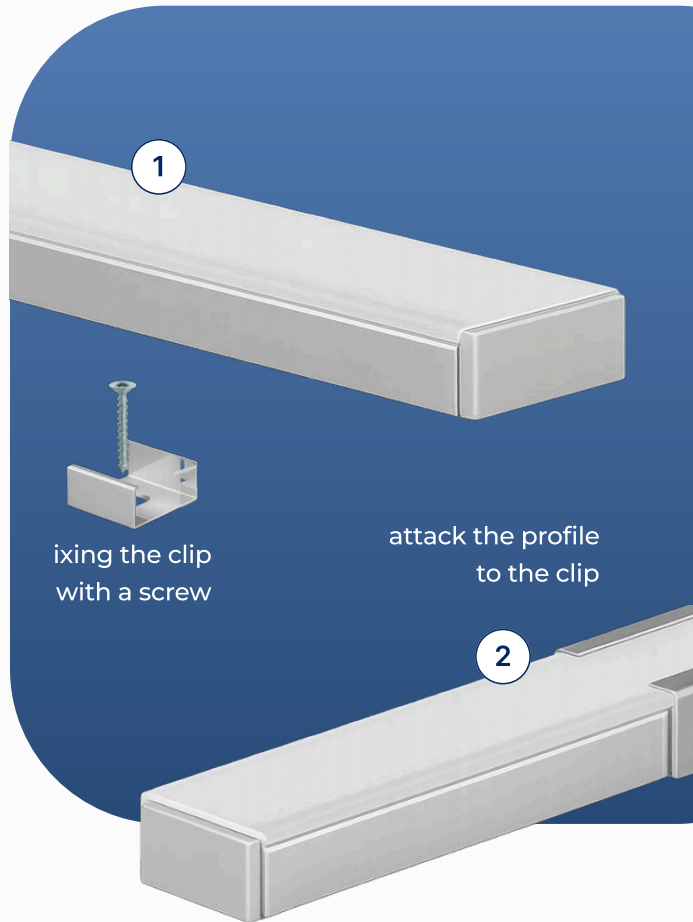
cap with hole
TP-R15/01-T1



closed cap
TP-R15/01-T2



clip
CL-R15/01



The profiles are supplied cut to measure, maximum length 3m, complete with diffuser + caps and fixing clips. Upon request, the profiles are supplied with LED strips chosen from White / Dynamic White / RGB / RGB+W and light control modules managed by the following systems

TYPE LED	RF REMOTE CONTROL / PANEL	DMX	DALI	ALEXA/GOOGLE HOME/TUYA	PUSH	1-10V / 0-10V
WHITE LED					✓	✓
DYNAMIC WHITE LED	✓	✓	✓	✓		
RGB LED						
RGB+W LED						