

10W LED light source with twinkle effect



“LWH-LED10-TW”



A very efficient 10W light source, designed for use with optical fibers, based on LED technology.

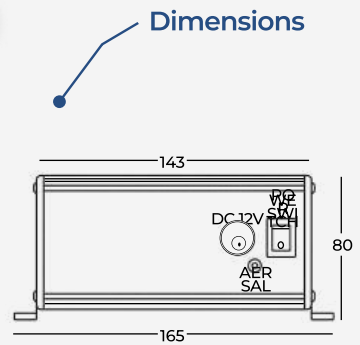
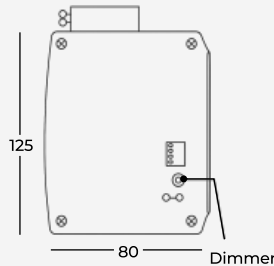
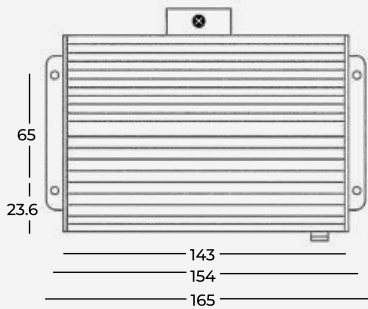
Extremely high power makes this light source suitable for scenographic lighting tasks with a sparkle effect for the realization of starry skies.

The LWH-LED10-TW illuminator is equipped with a suitable power supply to be connected directly to the 100–240 V mains power supply. Illuminator with control via DIP switch and RF remote control. With a \varnothing 30 mm input connector, this light source is ideal for new projects, for retrofit, or for existing fiber optic installations.

COBB FIBRE OTTICHE SRL

Via Nelson Mandela, 20 | 24048 Treviolo (BG) | Italy Tel. +39 035 0448601 - Fax +39 035 0448585
info@fibre-ottiche.com - www.fibre-ottiche.it

Technical features	Description
LED Power	10W
Led	warm white 3000°K, natural 4000°K, cold 6000°K
Power supply	100-240 VAC 50/60Hz
LED life (hours)	50.000 hours
Common connector inlet	30 mm
Minimum working room temperature	-10°C
Maximum working ambient temperature	+45°C
Light control and twinkle effect	DIP Switch or rf remote control
Illuminator body	grey painted aluminum



Control via DIP switch

PRO. NR.	DIP SWITCH (1=ON / 0=OFF)	FUNCTIONS
	6 5 4 3 2 1	
00	0 0 0 0 0 0	Motor stopped, Led working
01	1 0 0 0 0 1	Wheel Speed: 6 RPM
02	1 0 0 0 1 0	Wheel Speed: 4 RPM
03	1 0 0 0 1 1	Wheel Speed: 3 RPM
04	1 0 0 1 0 0	Wheel Speed: 2 RPM
05	1 0 0 1 0 1	Wheel Speed: 1.5 RPM
06	1 0 0 1 1 0	Wheel Speed: 1 RPM
07	1 0 0 1 1 1	Wheel Speed: 0.5 RPM

Note : RPM is the wheel speed per minute

CONTROL WITH RADIO FREQUENCY REMOTE CONTROL



**RF Remote
control**



ON/OFF



Fixing speed
wheel



Brightness
adjusting

In control mode by radio frequency remote control, in addition to switching on and off, we can adjust the intensity of the light (6 intensity levels).

If you want to have different wheel speeds, please use the DIP switch.

The radio frequency remote control allows you to control the illuminator even from a room adjacent to the illuminator positioning point.

COBB FIBRE OTTICHE SRL

Via Nelson Mandela, 20 | 24048 Treviolo (BG) | Italy Tel. +39 035 0448601 - Fax +39 035 0448585
info@fibre-ottiche.com - www.fibre-ottiche.it