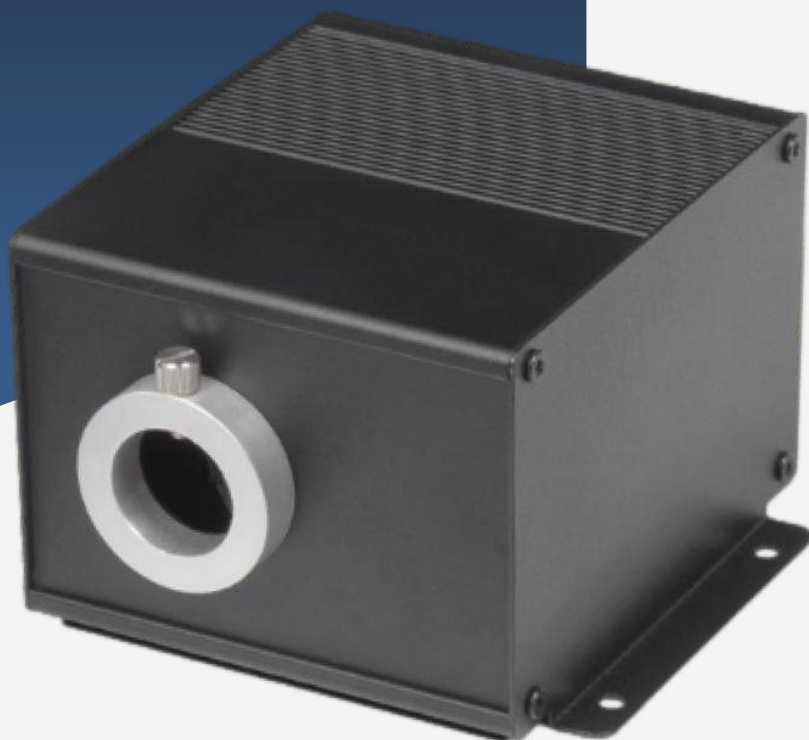


# 15W LED light source with twinkle effect

“LRGBW-LED15-TW”

CE

**COBB**  
FIBRE OTTICHE



A very powerful 15W light source, designed for use with optical fibers, based on LED technology. Its extremely high power makes this light source suitable for scenic lighting tasks with a twinkling effect for creating starry skies.

The “LRGBW-LED15-TW” illuminator is equipped with an appropriate power supply to be connected directly to the 110–240 V mains power supply.

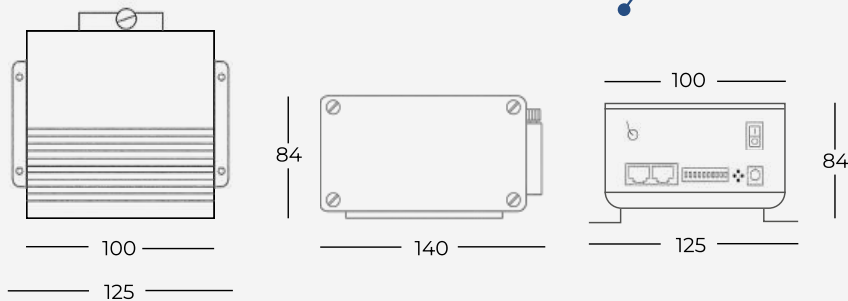
The illuminator can be controlled via RF remote control, smartphone app, or DMX512 signal. Equipped with one 30 mm diameter input connector, this light source is ideal for new projects, starry sky installations, retrofitting applications, or existing fiber optic systems.

*COBB FIBRE OTTICHE SRL*

*Via Nelson Mandela, 20 | 24048 Treviolo (BG) | Italy Tel. +39 035 0448601 - Fax +39 035 0448585  
info@fibre-ottiche.com - www.fibre-ottiche.it*

Technical Features	Description
Led Power	15W
Led	RGB+W (red, green, blue and white)
Power Supply	110-240 VAC 50/60Hz
Led Lifespan	50.000 hours
Common connector inlet	30 mm
Min Ambient Temperature	-10°C
Max Ambient Temperature	+45°C
Light control and twinkle effect	radio remote control, smartphone app or DMX512 signal
Led Source Material	black anodized aluminum

### DIMENSIONS

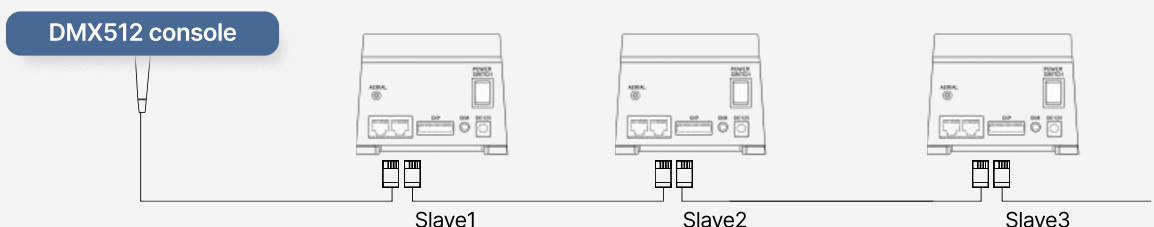


### Control with smartphone app and RF remote control:

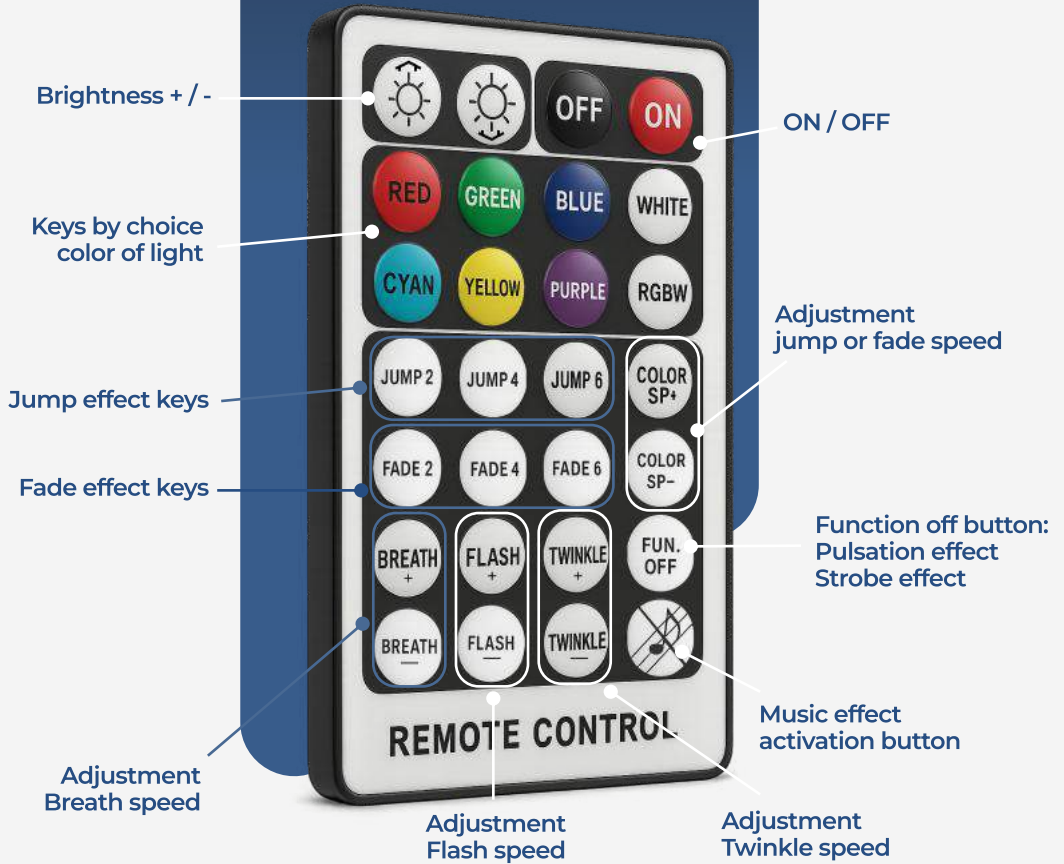
For operation with the app on a smartphone, please scan the QR code on the back of the illuminator.

Multiple “LRGBW-LED15-TW” illuminators can be connected to each other, allowing synchronization of light intensity and the speed of the twinkling effect, which is useful for large spaces where multiple illuminators are needed. These can be controlled with a single remote control.

### CONTROL IN DMX 512 SIGNAL MODE



# FUNCTIONS RF REMOTE CONTROL KEYS



Position DIP switches for mode operation RF remote control

In control mode via radio frequency remote control or app, in addition to turning the lights on and off, we can control RGB+W colors, create various lighting scenes, and adjust the speed of the twinkling effect.

The radio frequency remote control allows you to control the illuminator even from a room adjacent to the illuminator positioning point.